

# Tensioned Contour® Electrol®

## Automatic Electric Projection Screen

**SUGGESTED SPECIFICATIONS:** \_\_\_\_\_ projection screen(s), \_\_\_\_\_(H) x \_\_\_\_\_(W), electrically operated 120 volt (60 Hz) not more than 2.4 amp. Shall have specially designed motor mounted inside the roller, to be three wire with ground, quick reversal type, oiled for life, with automatic thermal overload cutout, integral gears, capacitor and an electric brake to prevent coasting. To have preset but adjustable limit switches to automatically stop the picture surface in the "up" and "down" positions. Junction box shall be integrated into the housing making it possible to install the housing and wire to the building's electrical system during construction. The junction box shall contain a quick connect connector that is mounted in the housing for easy plug-in connection to the motorized fabric and roller assembly. The motorized fabric and roller assembly may be installed in the case at the factory or at a later time at the job site.

The roller to be of rigid metal. Roller mounting brackets to be adjustable to allow centering or offsetting of the screen within the case. Screen case to be a two piece design made of extruded aluminum. Case to be finished in white, lightly textured powder coat. Screen fabric to be mildew resistant vinyl with black masking borders standard. Each side of fabric to have a tab guide cable system to maintain even lateral tension and hold surface flat. Bottom of fabric to be inserted into a custom aluminum slat bar with added weight to provide vertical tension on the screen surface. The ends of the slat to be protected by heavy duty plastic caps enclosing a preset adjustable mechanism for screen tensioning. To be complete with integrated low voltage control unit and three position control switch and cover plate. Screen to be listed by Underwriters' Laboratories.



### HDTV (16:9) Format Dimensions

Viewing Area (H x W)		Nominal Diagonal		Overall Length of Case For Vinyl Surfaces*		Overall Length of Case For Parallax Surfaces		Actual Weight		Approx. Ship. Wt.	
In.	Cm	In.	Cm	In.	Cm	In.	Cm	Lbs.	Kg	Lbs.	Kg
45" x 80"	114 x 203	92"	234	100½"	255	99¾"	252	61	27.7	79	35.8
52" x 92"	132 x 234	106"	269	113¼"	288	111¾"	284	68	30.8	83	37.6
54" x 96"	137 x 244	110"	279	117¼"	298	116¼"	295	71	32.2	86	39
58" x 104"	147 x 264	119"	302	125¾"	319	124¾"	317	76	34.5	95	43.1
65" x 116"	165 x 295	133"	338	138¾"	352	-	-	84	38.1	114	51.7
78" x 139"	198 x 353	159"	404	159¾"	406	-	-	97	44	134	60.8
90" x 160"	229 x 406	184"	467	181¾"	462	-	-	111	50.3	148	67.3

### Wide (16:10) Format Dimensions

Viewing Area (H x W)		Nominal Diagonal		Overall Length of Case For Vinyl Surfaces*		Overall Length of Case For Parallax Surfaces		Actual Weight		Approx. Ship. Wt.	
In.	Cm	In.	Cm	In.	Cm	In.	Cm	Lbs.	Kg	Lbs.	Kg
50" x 80"	127 x 203	94"	239	100½"	256	99¾"	253	61	27.7	77	34.9
57½" x 92"	146 x 234	109"	277	112¾"	286	112¼"	285	69	31.3	83	37.6
60" x 96"	152 x 244	113"	287	118¾"	302	-	-	72	32.7	92	41.7
65" x 104"	165 x 264	123"	312	126¾"	322	-	-	77	34.9	95	43.1
69" x 110"	175 x 279	130"	330	133¼"	338	-	-	81	36.7	104	47.2
72½" x 116"	184 x 295	137"	348	138¾"	352	-	-	85	38.6	114	51.7
87" x 139"	221 x 353	164"	417	160¾"	408	-	-	99	44.9	126	57.7
100" x 160"	254 x 406	189"	480	181¾"	462	-	-	113	51.3	148	67.1

### Ultrawide (21:9) Format Dimensions

Viewing Area (H x W)		Nominal Diagonal		Overall Dimensions		Actual Weight		Approx. Ship. Wt.	
In.	Cm	In.	Cm	In.	Cm	Lbs.	Kg	Lbs.	Kg
40½" x 96"	103 x 244	104"	264	115¾"	294	69	31,3	90	40,8
50¾" x 120"	129 x 305	130"	330	140¾"	358	83	37,6	104	47,2
60¾" x 144"	154 x 366	156"	396	166¼"	422	98	44,5	124	56,2
67½" x 160"	171 x 406	174"	442	179¾"	457	109	49,4	141	64

### Video (NTSC 4:3) Format Dimensions

Viewing Area (H x W)		Nominal Diagonal		Overall Length of Case For Vinyl Surfaces*		Actual Weight		Approx. Ship. Wt.	
In.	Cm	In.	Cm	In.	Cm	Lbs.	Kg	Lbs.	Kg
43" x 57"	95 x 224	72"	183	77¼"	196	48	21.8	66	29.9
50" x 67"	103 x 241	84"	213	87¾"	223	54	24.5	73	33.1
60" x 80"	114 x 269	100"	254	102¼"	260	63	28.6	84	38.1
69" x 92"	124 x 292	120"	305	111¾"	284	71	32.2	94	42.6
87" x 116"	132 x 310	150"	381	137¼"	349	85	38.6	114	51.7
108" x 144"	137 x 320	180"	457	167¾"	426	105	47.6	135	61.2
120" x 160"	147 x 347	200"	508	184¼"	468	118	53.5	148	67.1

\*Vinyl surfaces include all HD Progressive, Da-Mat, Da-Tex and Dual Vision surfaces.

## PRODUCT NOTES

- All screens except Parallax standard with 12" black drop at the top. Screens with Parallax surface standard with 2" of black drop at the top.
- Extra drop may alter case dimensions. Contact Da-Lite for details.
- Overall case length dimensions +/- 1/4" (6mm).
- Detail dimensional drawings, wiring diagrams and installation instructions available upon request.
- Specifications subject to change without notice.
- Custom formats and sizes available upon request.

## SURFACE INFORMATION

- All viewing surfaces are standard with black backing except Da-Tex® and HD Progressive ReView 0.9.
- Parallax available in sizes up to 58" x 104" in HDTV format and 57 1/2" x 92" in Wide format.
- HD Progressive 1.0 Perf available in sizes up to 87" x 116" in Video format and 78" x 139" in HDTV format.
- All surfaces will be seamless in the image area.
- All HD Progressive, Da-Mat, Da-Tex surfaces are fire retardant.

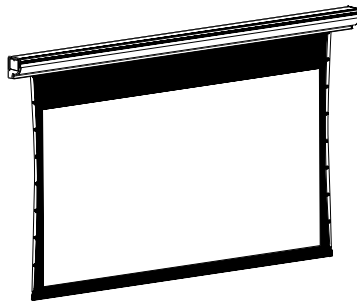
## WHEN ORDERING, MARK APPROPRIATE SELECTIONS

1. Select size from charts on the other side.
2. Select viewing surface.  
(All Da-Lite surfaces are GREENGUARD GOLD Certified):
 

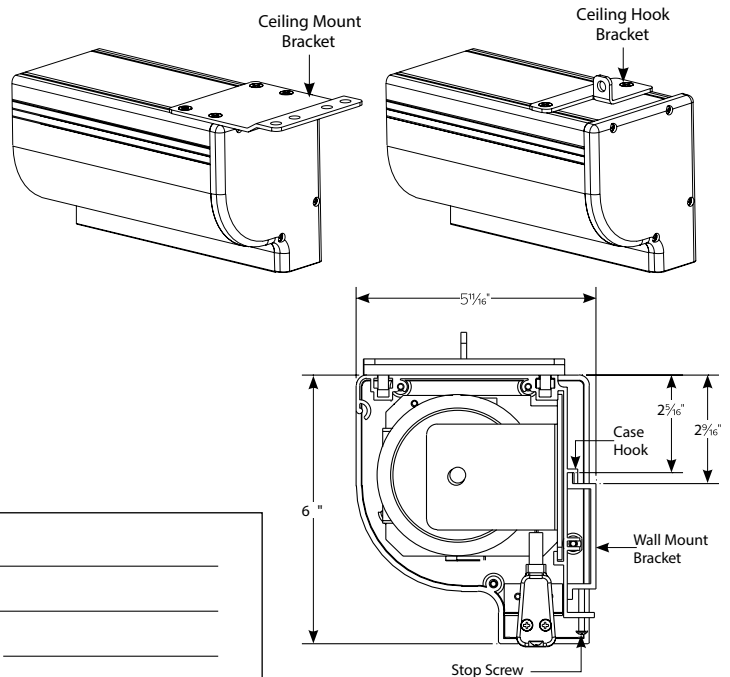
Parallax Pure 0.8	HD Progressive 1.3
HD Progressive 1.0	Da-Mat®
HD Progressive 1.0 Perf	Da-Tex® (Rear)
HD Progressive 1.1 Contrast	HD Progressive ReView 0.9 (Rear)
3. Options:
 

220 Volt (50 Hz) Motor	Black case (white standard)
------------------------	-----------------------------
4. Optional accessories:
  - Screen Controller (TCP/IP, RS232, Dry Contact, and VPI/Trigger)
  - Radio Frequency (BLE) Remote
  - Infrared Remote
  - PoE Injector
  - Key Locking Cover Plate for LVC Switch

## PRODUCT VIEW



## METHODS OF INSTALLATION



Project Name: _____	
Architect: _____	
Contractor: _____	Phone: _____
Reseller: _____	Phone: _____

LEGRAND | AV COMMERCIAL BRANDS

C2G | Chief | Da-Lite | Luxul | Middle Atlantic | Vaddio | Wiremold

FOR YOUR IMAGE | [legrandav.com](http://legrandav.com)

USA 866.977.3901 [av.da-lite.support@legrand.com](mailto:av.da-lite.support@legrand.com) CANADA 877.345.4329 [av.da-lite.support@legrand.com](mailto:av.da-lite.support@legrand.com)

EMEA +31 495 580 840 [av.emea.sales@legrand.com](mailto:av.emea.sales@legrand.com) APAC +852 2145 4099 [av.asia.sales@legrand.com](mailto:av.asia.sales@legrand.com)